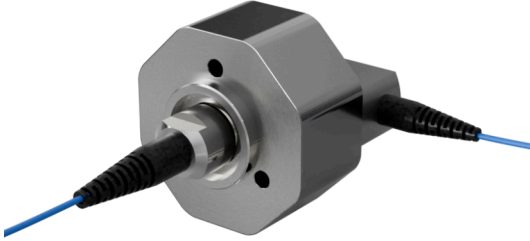




90° Right-Angle Fiber Optic Rotary Joint (FORJ)

Single-Channel, Single-Mode, 90° Rotor-Stator



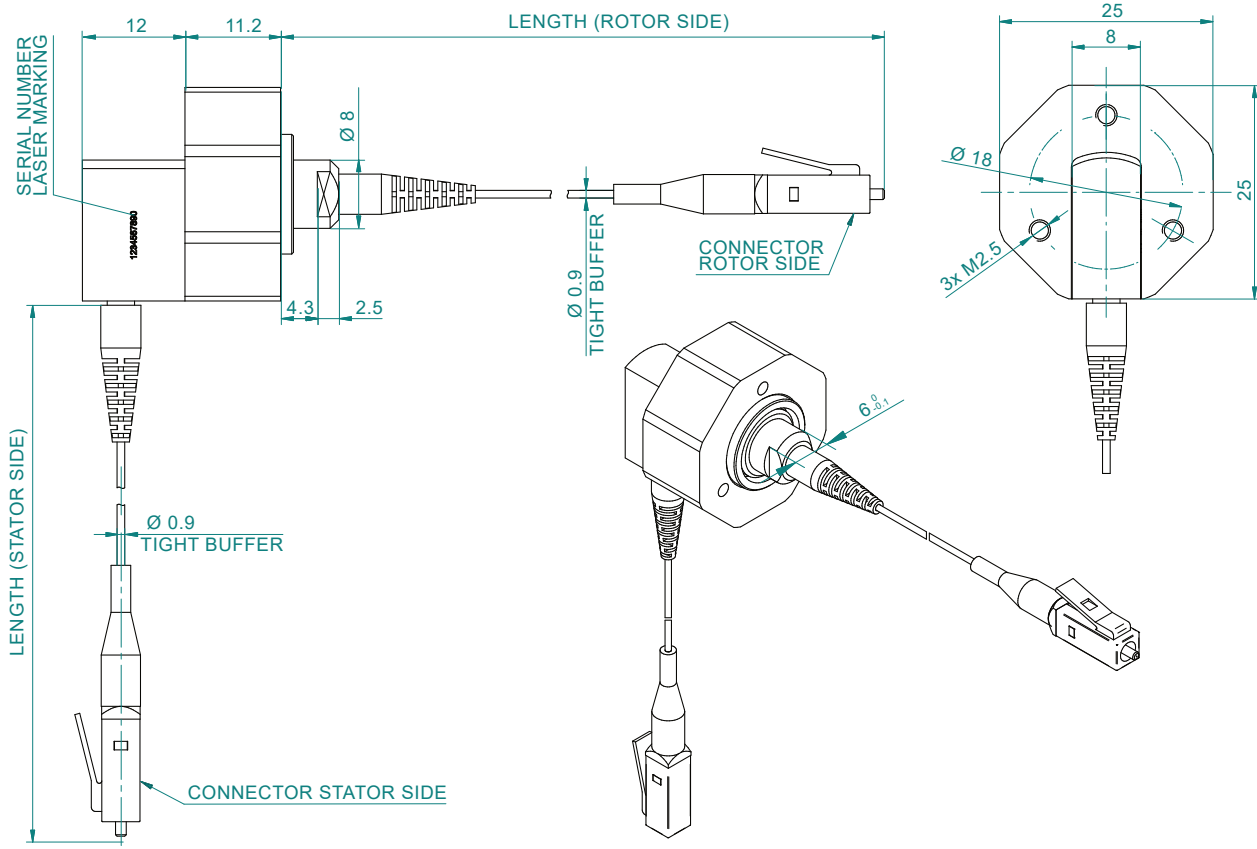
The single-channel, single-mode 90° Fiber Optic Rotary Joint (FORJ) transmits optical signals across rotating interfaces with minimal loss and excellent stability. Its compact, robust design, manufactured from 304L stainless steel, ensures reliable performance in applications with continuous rotation or limited space.

Application:

Wind Turbines, Robotics, Medical Imaging, Aerospace, Defence, Industrial Automation, Laser Systems

Specification			
Fiber type [nm]	SM (1310 / 1550)	Rotation speed [rpm]	Up to 5000
Max. insertion loss [dB]	Typ. < 0.8 (max. 1.5 including connectors)	Temperature range [°C]	- 55 / +85
Max. insertion loss variation [dB]	0.5	Weight [g]	<50
Max. optical power [mW]	>50	Connector interface	LC, SC, E2000, FC, A801, others
Rotation speed [rpm]	500	Fiber protection	Tubing 900um, 2mm, 3mm, others

Dimensions - FORJ 1CH 90°



Customized Solutions

