



# Fiber-Coupled Laser Sources

Custom Design with Customer-Specific Wavelength and Power



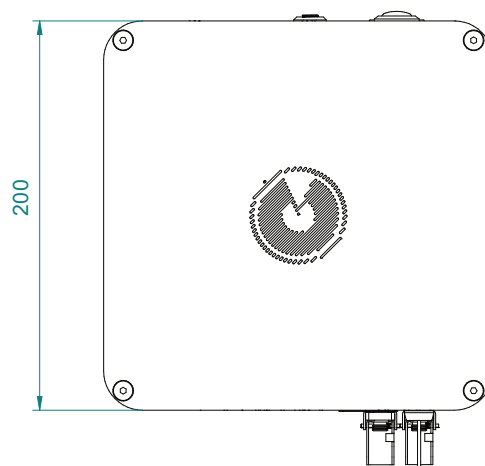
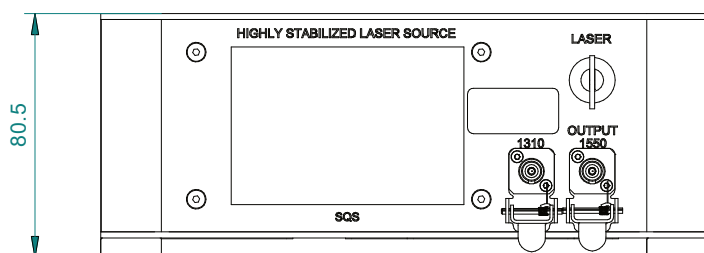
SQS fiber-coupled laser sources support single-mode, multimode, or polarization-maintaining fibers with FC/PC interfaces. Output power is adjustable via a touch display, providing stable, low-noise, constant-power operation.

Each unit includes two laser sources as standard and is supplied with customer-defined wavelength and output power. The front panel features a touch display with power readout and on/off control, while the rear panel offers USB control and a remote interlock.

**Applications:**

Optical component testing, Optical fiber sensing, Biomedical imaging, Spectroscopy & scattering

Parameters	
Wavelength [nm]	SM/MM/PM (405 - 1550)
Optical Fiber	Depends on laser source type
Output power [mW]	Up to 50
Set point resolution [mW]	0.01
Stability [dB]	+/- 0.05 (after 30 min. warm-up)
Operating temperature [°C]	15 to 40
AC input [V/Hz]	230 / 50 - 60
Safety	Safety interlock available
Dimensions [mm]	200 x 200 x 70



Customized Solutions

